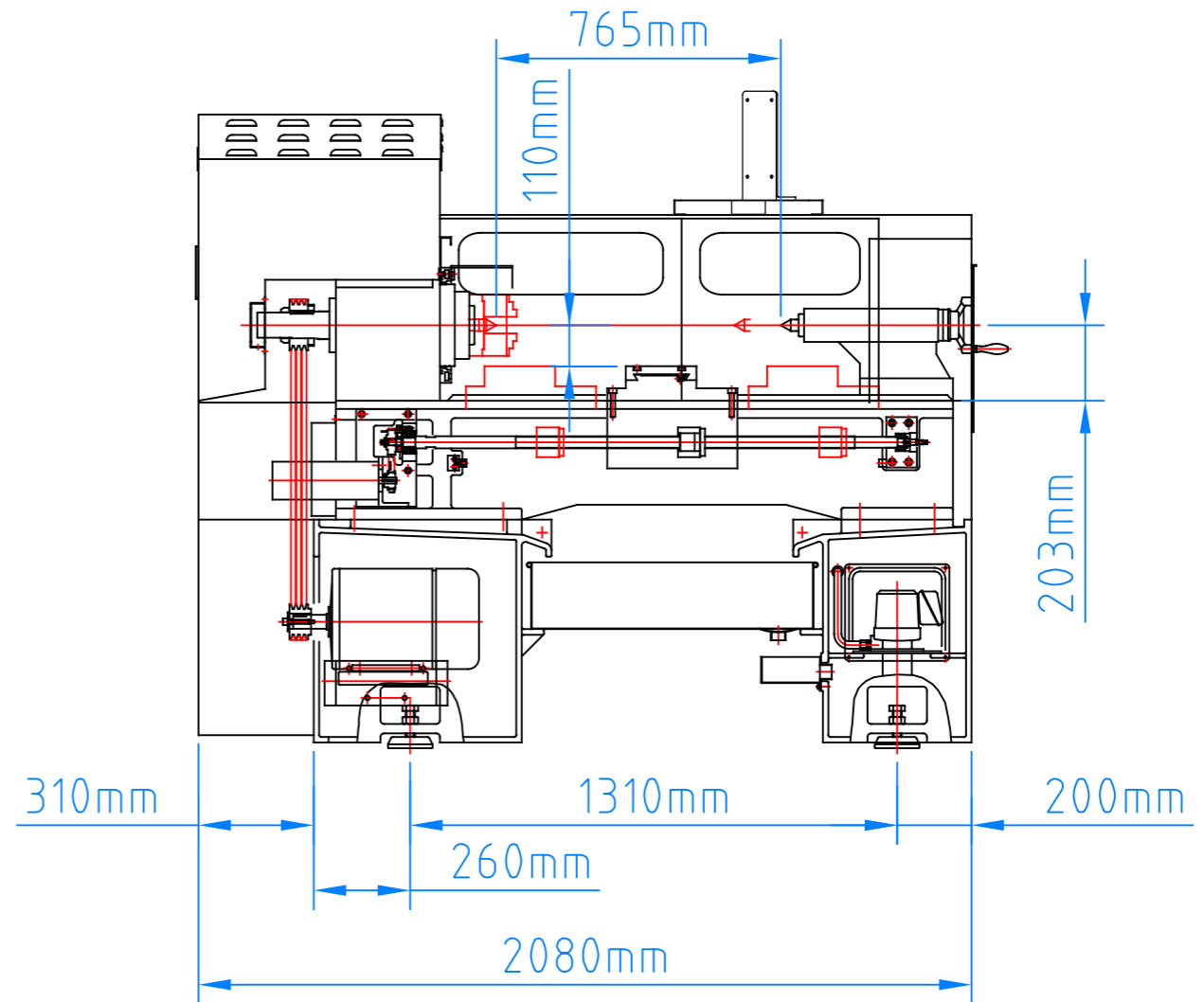
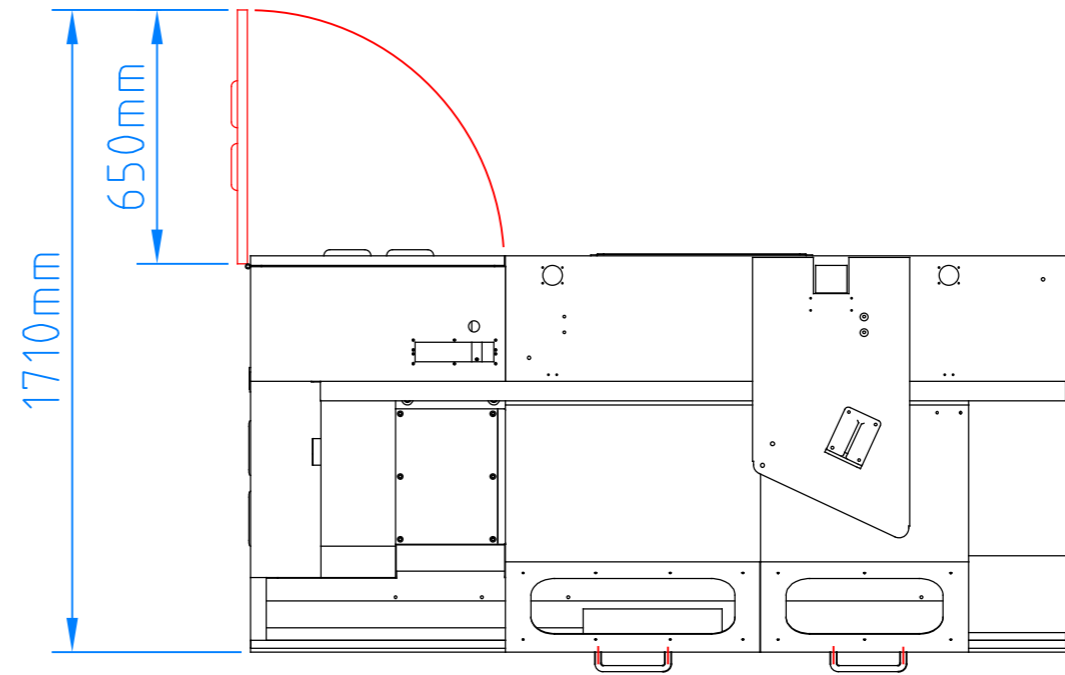
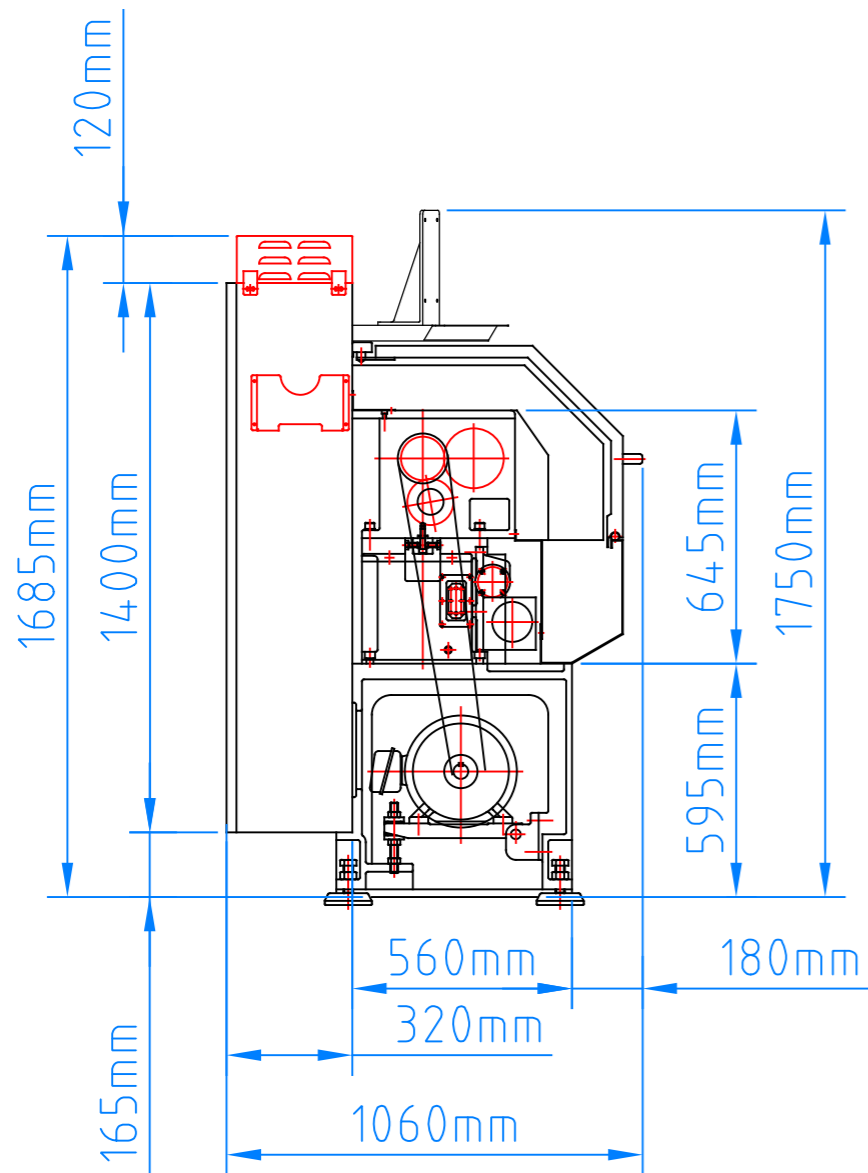




PLEASE NOTE: ALLOW 500MM ACCESS AROUND M/C FOR SAFETY/MAINTENANCE



ISSUE DATE: 14-08-2019
VERSION NO: 1

MODIFIED BY:
MODIFIED DATE: 14-08-2019

MACHINE MODEL: XYZ RLX I 630
--

DRAWING No: MDD-16831-01

