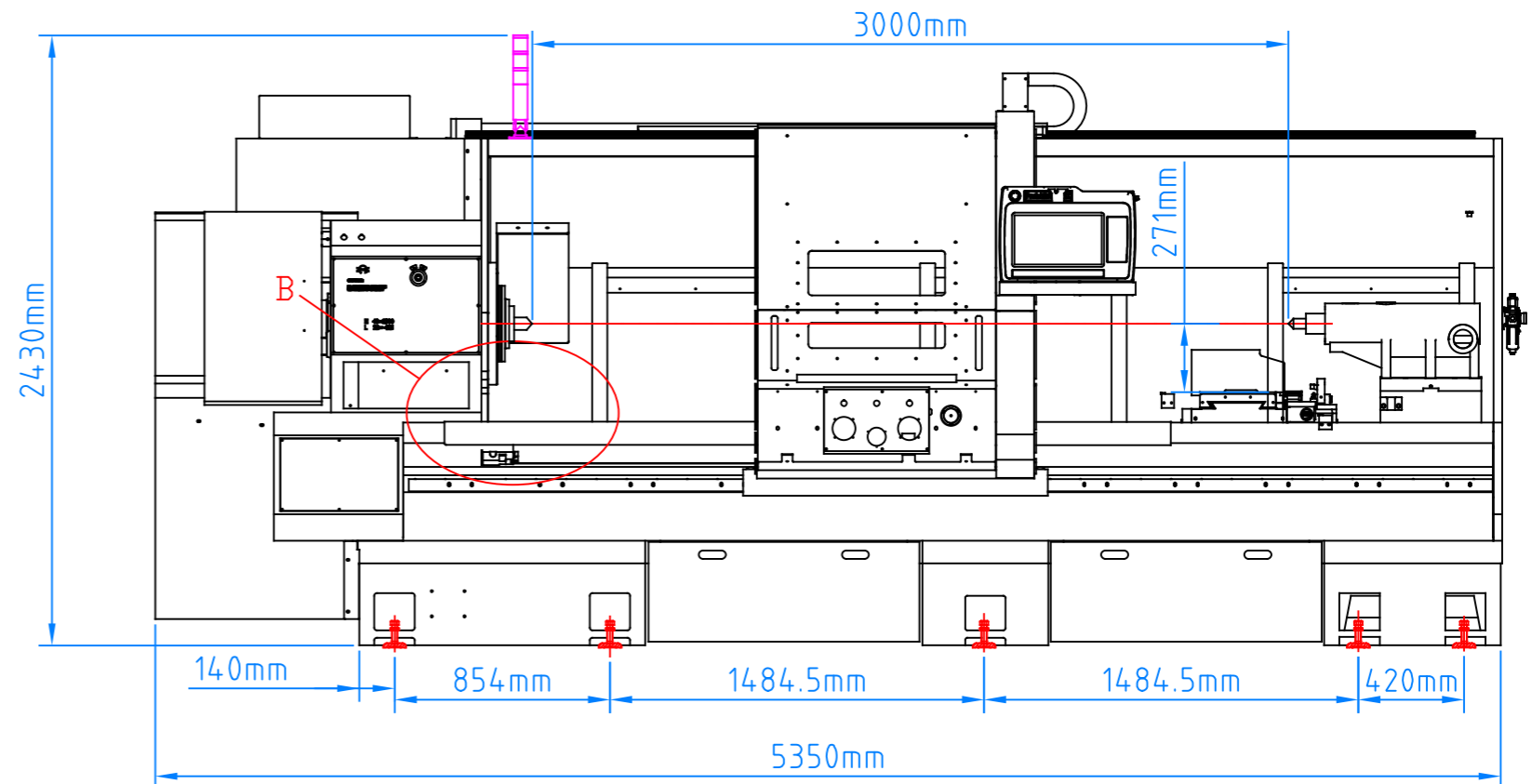
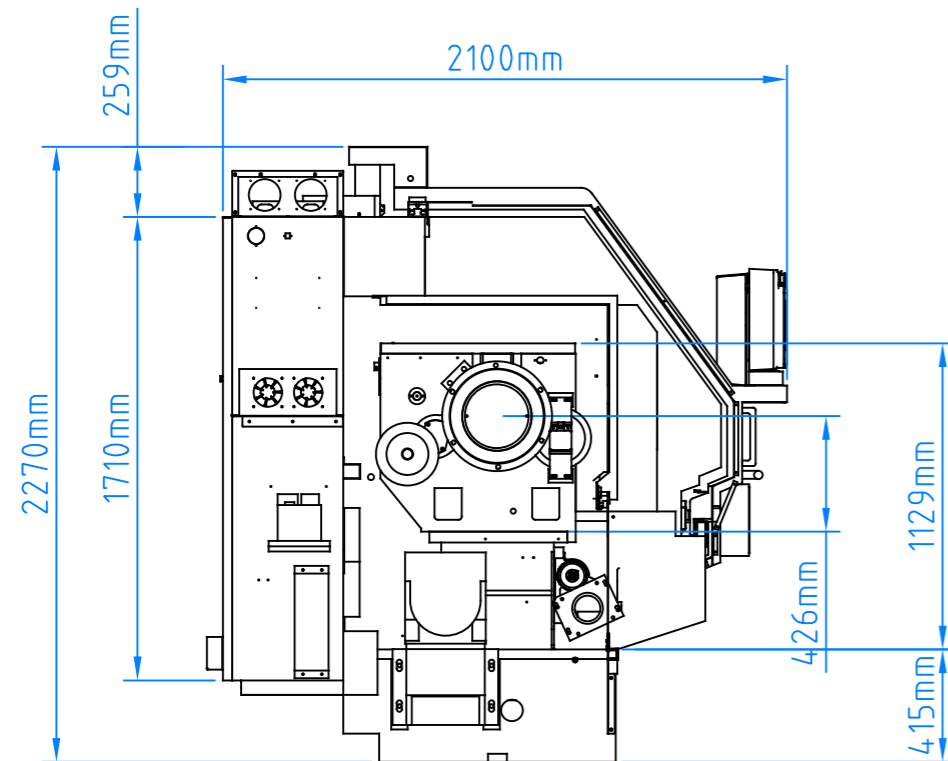
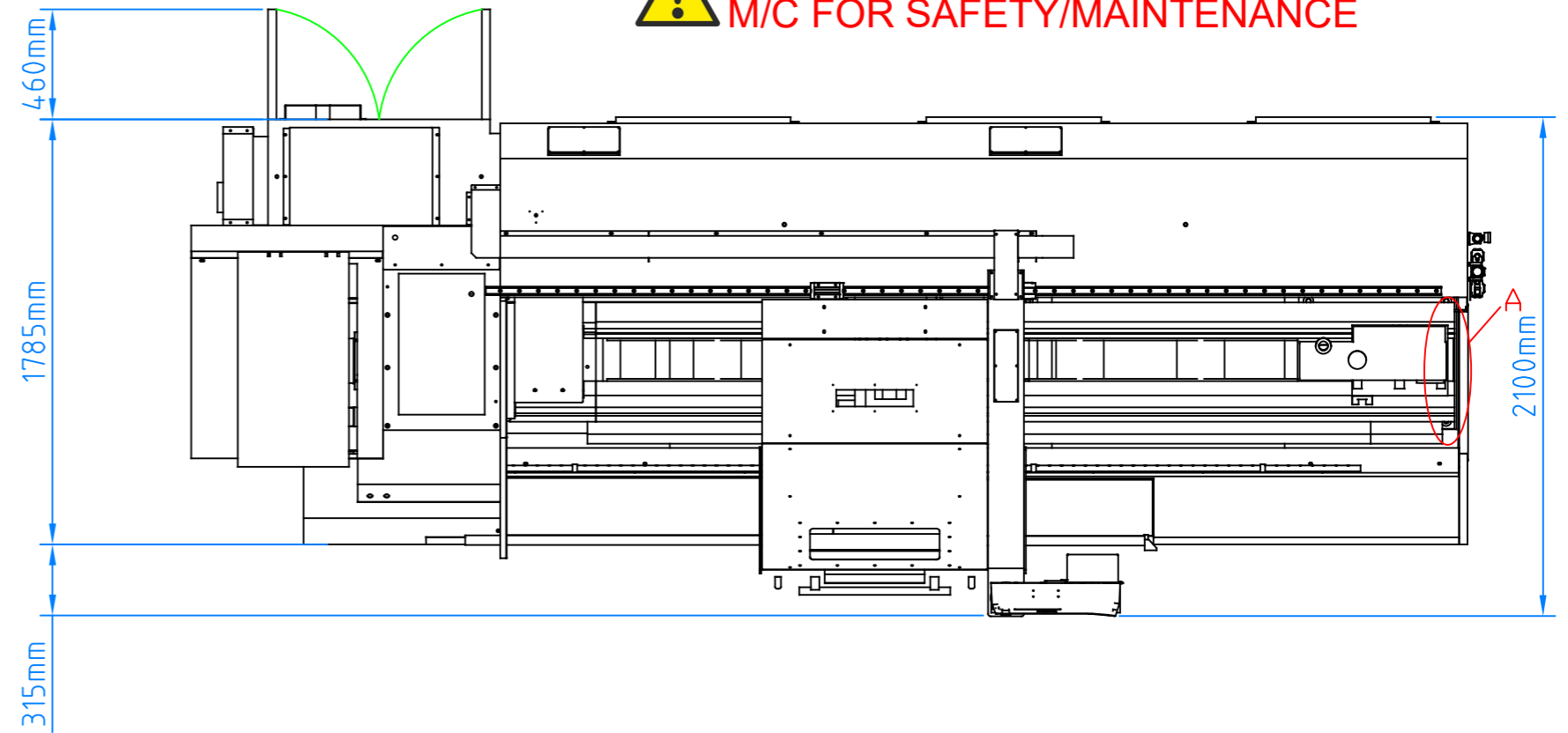
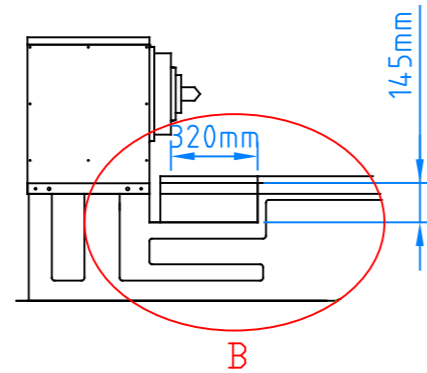
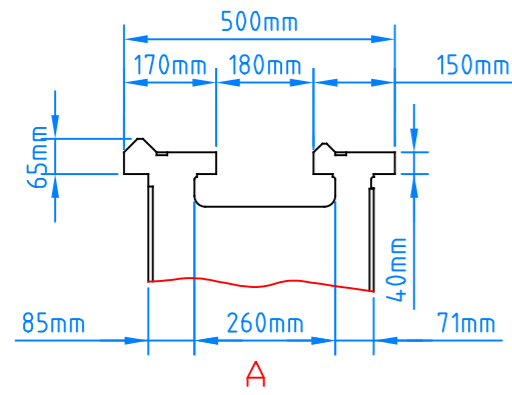




PLEASE NOTE: ALLOW 500MM ACCESS AROUND M/C FOR SAFETY/MAINTENANCE



ISSUE DATE:
04-05-2021

MODIFIED BY:

MACHINE MODEL:

DRAWING No:

VERSION NO:
2

MODIFIED DATE:
26-05-2021

XYZ RLX 780

MDD-16838-02

XYZ
Machine Tools